

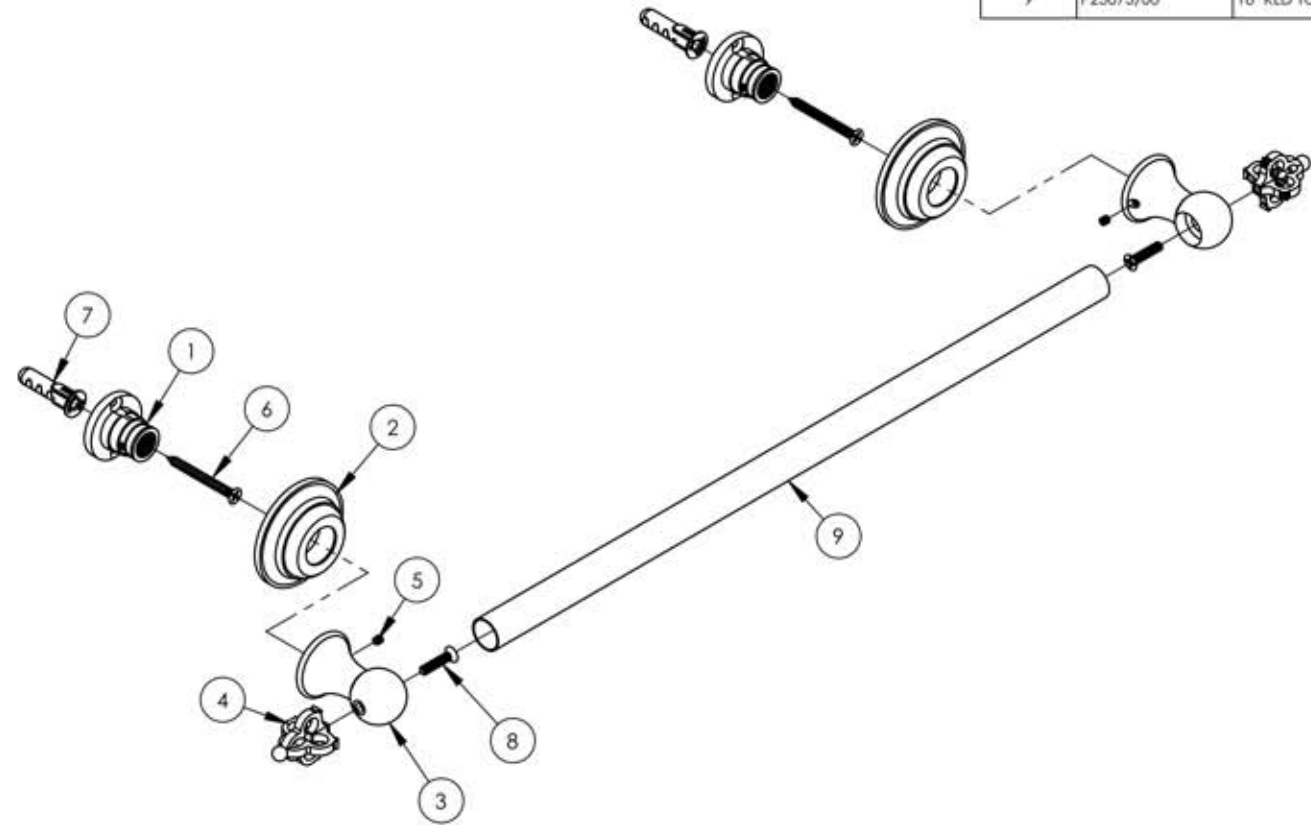
ITEM NO.	PART NUMBER	DESCRIPTION	QTY.
1	11050	MOUNTING KIT, WALL FLANGE	2
2	11277/00	ESCUTCHEON, ACCESSORIES, MAISON	2
3	11262/00	POST, TOWEL BAR, MAISON SERIES3/4"	2
4	2-039/00	ASSY, POP-UP COURONNE SERIES	2
5	92008	SET SCREW, CUP POINT 8-32	2
6	92043	SCREW, FLAT HD #10 SIZE W/ #2 PHIL DRIVE, 2"L	2
7	92046	ANCHOR SCREW 3/8" HOLE, TOGGLER AF10	2
8	92249	FLAT HD, PHILLIPS, 10-24 7/8" LONG	2
9	P23073/00	18" KLD TOWEL BAR	1

A

B

C

D



E

ZONE	REV.	DESCRIPTION	DATE	APPROVED
REVISIONS				

1261 LOGAN AVENUE COSTA MESA, CALIFORNIA 92626 PHONE: 714.361.4800 FAX: 714.617.3120	<h1>PHYLTRICH®</h1> <p>Defining Luxury Since 1959</p>	PROPRIETARY AND CONFIDENTIAL THE INFORMATION CONTAINED IN THIS DRAWING IS THE SOLE PROPERTY OF RISS MANUFACTURING. ANY REPRODUCTION IN PART OR AS A WHOLE WITHOUT THE WRITTEN PERMISSION OF RISS MANUFACTURING IS PROHIBITED.
---	---	---

-		INTERPRET GEOMETRIC DIMENSIONING & TOLERANCING IN ACCORDANCE WITH ASME Y14.5-2009 & ASME Y14.41-2003 STANDARDS. UNLESS OTHERWISE SPECIFIED, DIMENSIONS ARE IN INCHES. TOLERANCES ARE:		
NEXT ASSY	USED ON	FRACTIONS ±1/64"	DECIMALS X.X: ±.1 X.XX: ±.01 X.XXX: ±.005	ANGULAR ±.5°
APPLICATION		MATERIAL	NAME	DATE
FINISH		DRAWN	LLO	10/21/2015
DO NOT SCALE DRAWING		CHECKED	GRE	

18" TOWEL BAR, COURONNE SERIES			
SIZE	ASM/PRT NO.	REV	
A	163-70/00	-	
SCALE: 1:4	WEIGHT: lbs.	SHEET 1 OF 2	

5

4

3

2

1